

DataTrak[®] Kits

313541D
EN

For providing pump diagnostics and material usage information for spray packages.

Conversion Kits 24A575, 24A576, and 24A592 Replacement Parts Kits 24B564, 24B565, and 24B566

See page 2 for model information, including agency approvals.



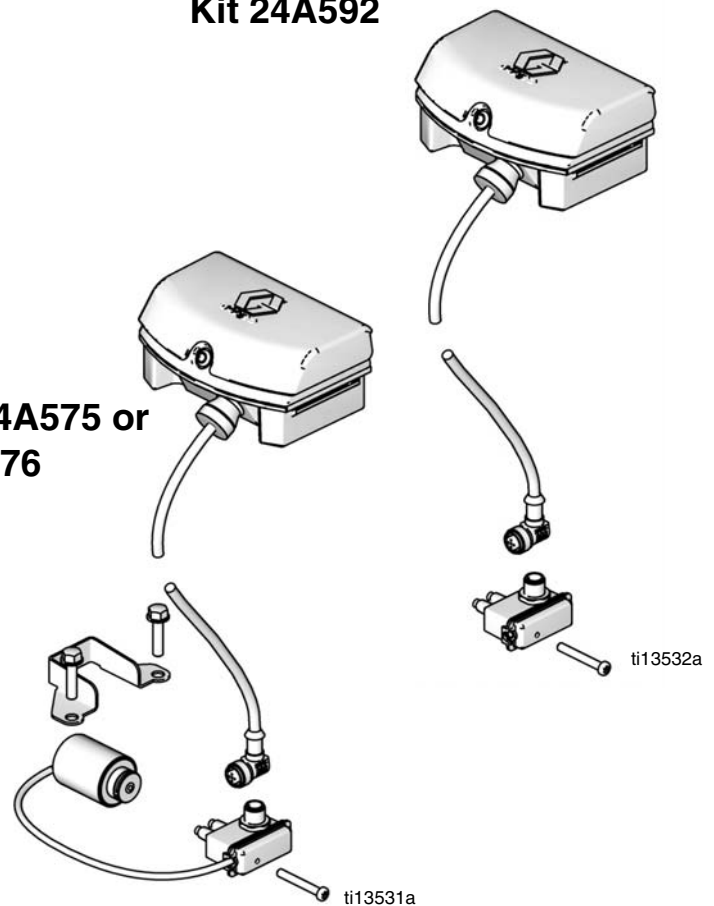
Important Safety Instructions

Read all warnings and instructions in this manual and in your spray package manual (312797, 312798, or 313255). Save all instructions.

Australian Patent No. 2006275866
Chinese Patent Nos. ZL200680027833.0 and
ZL200680027760.5
European Community Patent No. 1910678
Russian Patent No. 2413096
Ukrainian Patent Nos. 59881, 89254 and 93051
US Patent No. 8,066,491
Other patents pending

Kit 24A592

Kit 24A575 or 24A576



DataTrak Conversion Kits

Part No.	Description	Fits NXT Air Motor Models	Air Valve Replacement Kit Required*
24A575	DataTrak with Runaway Protection Kit	M04LN0	24A353
		M04LT0	-----
24A576	DataTrak with Runaway Protection Kit	M07LN0– M18LN0	24A354
		M07LT0– M18LT0	-----
24A592	DataTrak with Cycle Count Only Kit	MxxLN0	-----

* Purchase and install the Air Valve Replacement Kit listed to make your MxxLN0 air motor compatible with DataTrak with Runaway Protection.

DataTrak Replacement Parts Kits

Part No.	Description	Fits Air Motor Models
24B563	DataTrak Module	All
24B565	Solenoid/Reed Switch Assembly	M04LT0
24B566	Solenoid/Reed Switch Assembly	M07LT0–M18LT0
24B564	Reed Switch Assembly	MxxLN0

DataTrak™ includes agency approvals listed below.



Conforms to
FM std 3600 & 3610
for use in Class I Div 1
Group D
T3C Hazardous locations



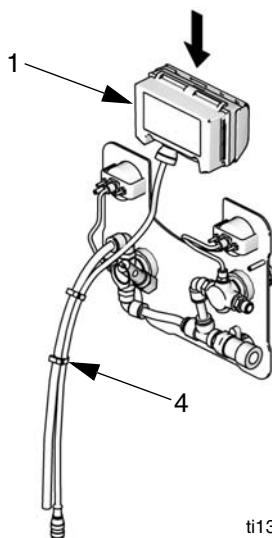
EEx ia IIA T3
Nemko
06ATEX1124

Prepare to Install

1. Relieve the pressure. Follow instructions in your spray package manual.
2. Disconnect the air line to the motor.

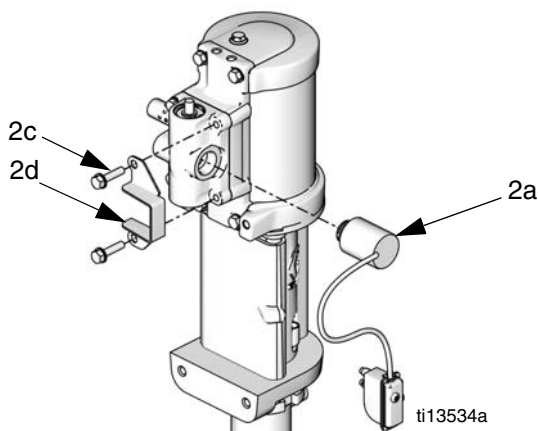
Install the Kit

1. Remove the insert from the air control panel.
2. Install the DataTrak module (1) on the air control panel. Use the hose clips (4) provided to attach the Data-Trak cable to the pump air line.



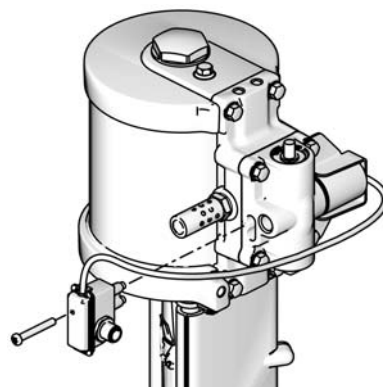
ti13533a

3. **Models 24A575 and 24A576 only:** Attach the solenoid (2a) and bracket (2d) to the air valve. Use the same screws (2c) that attach the air valve to the manifold, as shown.



ti13534a

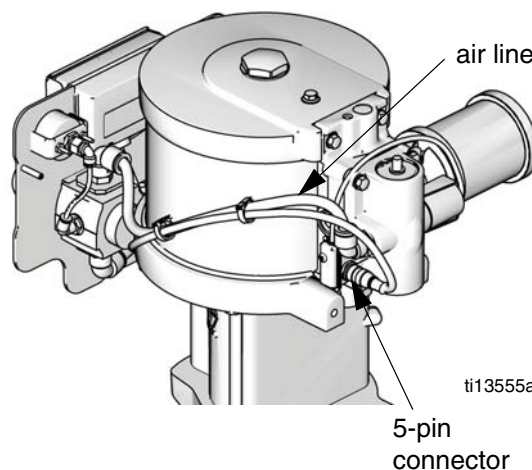
4. Use the screw provided to attach the reed switch just behind the air inlet. Remove the muffler, if needed, for easier access. Rotate the air inlet fitting as needed so the wrench flat clears the reed switch.



ti13535a

NOTE: Model 24A592 has no solenoid attached to the reed switch.

5. Connect the DataTrak cable to the 5-pin connector on the reed switch. Reconnect the air line to the motor.



ti13555a


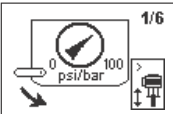
air line
5-pin connector

Check DataTrak Operation

NOTICE

See DataTrak operation instructions in your spray package manual (312797, 312798, or 313255).

Models 24A575 and 24A576 (with Runaway Solenoid)

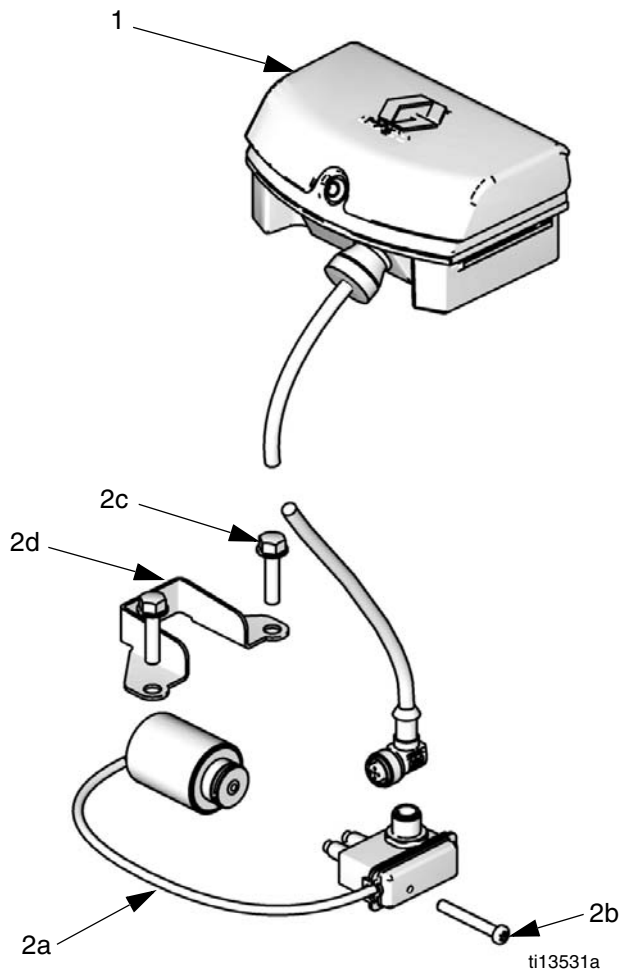
1. Enable runaway  and set the runaway limit. Graco recommends setting runaway to 60.
2. Run the air motor at a speed slower than the runaway limit.
3. Check for proper reed switch operation.
 - a. The DataTrak pump icon should move when the air motor changes direction.
 - b. The Grand Totalizer and Batch Totalizer should increase by 1 for every air motor cycle.
4. Check for proper runaway operation.
 - a. Run the air motor at a speed faster than the runaway limit.
 - b. After 5 consecutive cycles, the DataTrak should stop the air motor and display the runaway diagnostic screen. 
 - c. Follow the runaway reset instructions in your spray package manual.
 - d. After resetting, turn on the air supply. The air motor should run. Shut off the air until ready to pump.
5. Configure the DataTrak as needed.

Model 24A592 (Without Runaway Solenoid)

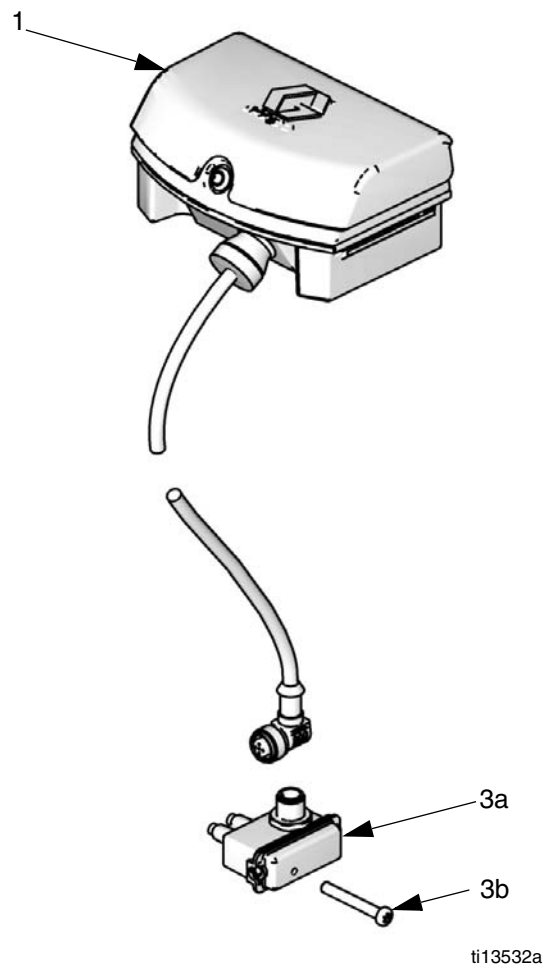
1. Run the air motor to check for proper reed switch operation.
 - a. The DataTrak pump icon should move when the air motor changes direction.
 - b. The Grand Totalizer and Batch Totalizer should increase by 1 for every air motor cycle.
2. Configure the DataTrak as needed. Be sure to disable runaway monitoring.

Parts

Models 24A575 and 24A576



Model 24A592



Ref. No.	Part No.	Description	Qty.
1	24B563	DATATRAK module (includes Part 4)	1
2	24B565 24B566	SOLENOID/REED SWITCH, kit (includes Parts 2a-2d) For Model 24A575 For Model 24A576	1
2a	-----	REED SWITCH with SOLENOID	1
2b	-----	SCREW, reed switch, M4 x 35	1
2c	-----	SCREW, solenoid, M6 x 25	2
2d	-----	BRACKET, solenoid	1
4	-----	CLAMP, hose (not shown) Model 24A575 - order kit 24A544 for package of 10 Model 24A576 - order kit 24A548 for package of 10	2
5▲	15V262	LABEL, warning (not shown)	1

Ref. No.	Part No.	Description	Qty.
1	24B563	DATATRAK module (Includes Part 4)	1
3	24B564	REED SWITCH, assembly (includes Parts 3a and 3b)	1
3a	-----	REED SWITCH	
3b	-----	SCREW, reed switch, M4 x 35	1
4	-----	CLAMP, hose (not shown) M02LNO or M04LNO - order kit 24A544 for package of 10 M07LNO- M18LNO - order kit 24A548 for package of 10	2
5▲	15V262	LABEL, warning (not shown)	1

▲ Replacement Warning labels, signs, tags, and cards are available at no cost.

Graco Standard Warranty

Graco warrants all equipment referenced in this document which is manufactured by Graco and bearing its name to be free from defects in material and workmanship on the date of sale to the original purchaser for use. With the exception of any special, extended, or limited warranty published by Graco, Graco will, for a period of twelve months from the date of sale, repair or replace any part of the equipment determined by Graco to be defective. This warranty applies only when the equipment is installed, operated and maintained in accordance with Graco's written recommendations.

This warranty does not cover, and Graco shall not be liable for general wear and tear, or any malfunction, damage or wear caused by faulty installation, misapplication, abrasion, corrosion, inadequate or improper maintenance, negligence, accident, tampering, or substitution of non-Graco component parts. Nor shall Graco be liable for malfunction, damage or wear caused by the incompatibility of Graco equipment with structures, accessories, equipment or materials not supplied by Graco, or the improper design, manufacture, installation, operation or maintenance of structures, accessories, equipment or materials not supplied by Graco.

This warranty is conditioned upon the prepaid return of the equipment claimed to be defective to an authorized Graco distributor for verification of the claimed defect. If the claimed defect is verified, Graco will repair or replace free of charge any defective parts. The equipment will be returned to the original purchaser transportation prepaid. If inspection of the equipment does not disclose any defect in material or workmanship, repairs will be made at a reasonable charge, which charges may include the costs of parts, labor, and transportation.

THIS WARRANTY IS EXCLUSIVE, AND IS IN LIEU OF ANY OTHER WARRANTIES, EXPRESS OR IMPLIED, INCLUDING BUT NOT LIMITED TO WARRANTY OF MERCHANTABILITY OR WARRANTY OF FITNESS FOR A PARTICULAR PURPOSE.

Graco's sole obligation and buyer's sole remedy for any breach of warranty shall be as set forth above. The buyer agrees that no other remedy (including, but not limited to, incidental or consequential damages for lost profits, lost sales, injury to person or property, or any other incidental or consequential loss) shall be available. Any action for breach of warranty must be brought within two (2) years of the date of sale.

GRACO MAKES NO WARRANTY, AND DISCLAIMS ALL IMPLIED WARRANTIES OF MERCHANTABILITY AND FITNESS FOR A PARTICULAR PURPOSE, IN CONNECTION WITH ACCESSORIES, EQUIPMENT, MATERIALS OR COMPONENTS SOLD BUT NOT MANUFACTURED BY GRACO. These items sold, but not manufactured by Graco (such as electric motors, switches, hose, etc.), are subject to the warranty, if any, of their manufacturer. Graco will provide purchaser with reasonable assistance in making any claim for breach of these warranties.

In no event will Graco be liable for indirect, incidental, special or consequential damages resulting from Graco supplying equipment hereunder, or the furnishing, performance, or use of any products or other goods sold hereto, whether due to a breach of contract, breach of warranty, the negligence of Graco, or otherwise.

FOR GRACO CANADA CUSTOMERS

The Parties acknowledge that they have required that the present document, as well as all documents, notices and legal proceedings entered into, given or instituted pursuant hereto or relating directly or indirectly hereto, be drawn up in English. Les parties reconnaissent avoir convenu que la rédaction du présente document sera en Anglais, ainsi que tous documents, avis et procédures judiciaires exécutés, donnés ou intentés, à la suite de ou en rapport, directement ou indirectement, avec les procédures concernées.

Graco Information

For the latest information about Graco products, visit www.graco.com.

TO PLACE AN ORDER, contact your Graco distributor or call to identify the nearest distributor.

Phone: 612-623-6921 **or Toll Free:** 1-800-328-0211 **Fax:** 612-378-3505

*All written and visual data contained in this document reflects the latest product information available at the time of publication.
Graco reserves the right to make changes at any time without notice.*

Original instructions. *This manual contains English. MM 313541*

Graco Headquarters: Minneapolis

International Offices: Belgium, China, Japan, Korea

GRACO INC. AND SUBSIDIARIES • P.O. BOX 1441 • MINNEAPOLIS MN 55440-1441 • USA

Copyright 2009, Graco Inc. All Graco manufacturing locations are registered to ISO 9001.

www.graco.com
Revised 01/2012