

Kit



Hose Rack

3A1903A

EN

For use with E-30i and E-XP2i Reactor[®] systems to store up to 310 ft of heated hose. For professional use only.

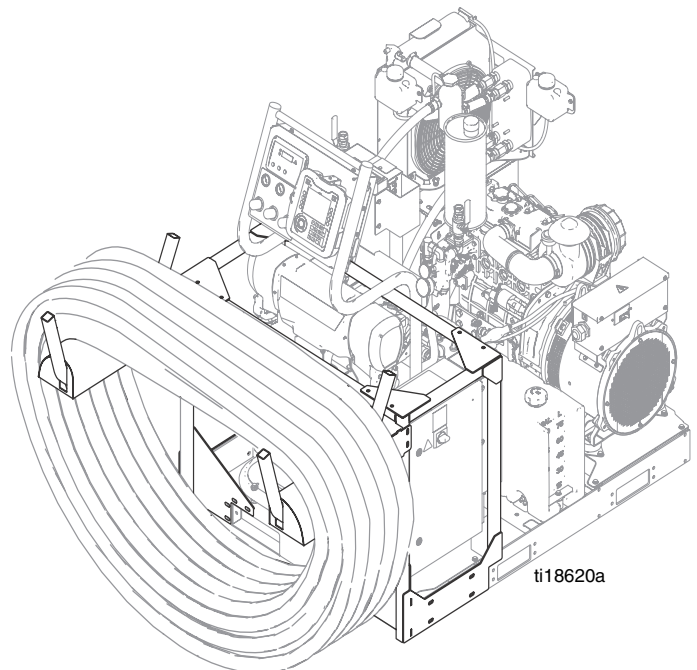
Kit 24K336



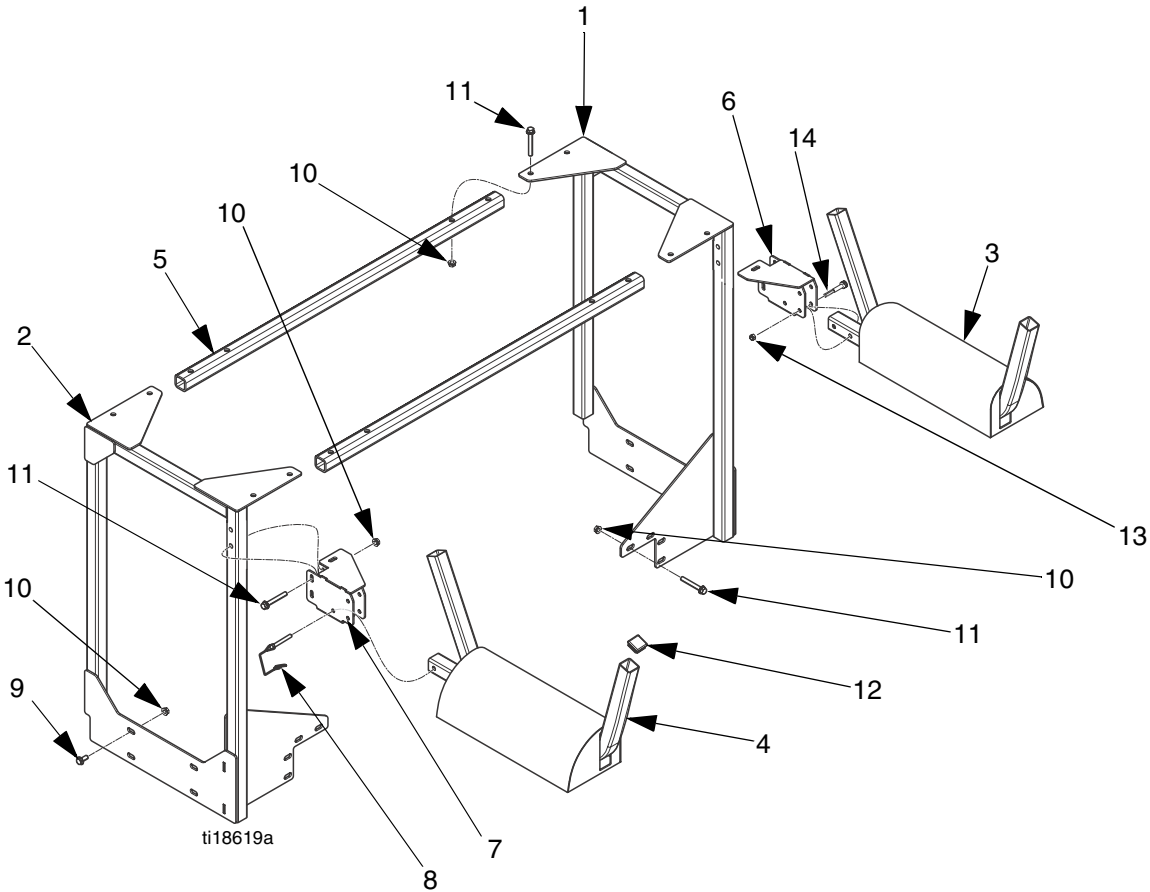
Important Safety Instructions

Read all warnings and instructions in the E-30i and E-XP2i Reactor operation and repair manuals. Save all instructions.

Hose rack kit must be mounted on the Reactor side of the E-30i and E-XP2i Reactor system. Hose not included.



Hose and system not included



Ref	Part	Description	Qty
1	24K251	FRAME, hose rack, right	1
2	24K252	FRAME, hose rack, left	1
3	24K253	RACK, adjustable, right	1
4	24K254	RACK, adjustable, left	1
5	24K257	TUBE, hose rack	2
6	24M149	BRACKET, arm mount, right	1
7	24M148	BRACKET, arm mount, left	1
8	125981	PIN, retaining, with tab	2
9	111192	SCREW, cap, flange head, 3/8 x 0.88	8
10	112958	NUT, hex, flanged	28
11	121488	SCREW, hex head, flanged, 3/8 x 2.75	20
12	111218	CAP, tube, square	4
13	111040	NUT, lock, insert, nylock, 5/16	2
14	126036	SCREW, shoulder, 3/8 x 2.00	2

All written and visual data contained in this document reflects the latest product information available at the time of publication. Graco reserves the right to make changes at any time without notice.

Original instructions. This manual contains English. MM 3A1903

Graco Headquarters: Minneapolis
International Offices: Belgium, China, Japan, Korea

GRACO INC. AND SUBSIDIARIES • P.O. BOX 1441 • MINNEAPOLIS MN 55440-1441 • USA

Copyright 2012, Graco Inc. All Graco manufacturing locations are registered to ISO 9001.

www.graco.com