

Feed Pump Shutdown Kit

3A1905A

EN

To automatically shut off air supply to material feed supply pumps used with Graco Control Architecture™ controlled Reactors. For professional use only. Not for use in explosive atmospheres.



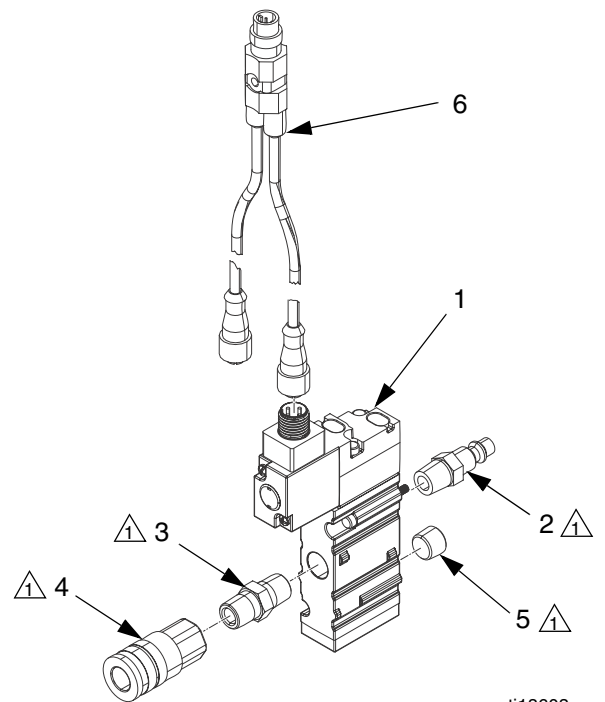
Important Safety Instructions

Read all warnings and instructions in this manual and the Reactor operation manual. Save these instructions.

24K334 Parts

See page 2 for installation instructions.

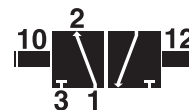
Ref	Part	Description	Qty
1	16K335	VALVE, solenoid, 3-way	2
2	169970	FITTING, line air, 1/4-18 npt	2
3	156971	NIPPLE, short, 1/4-18 npt	2
4	114558	COUPLER, line, air, 1/4-18 npt	2
5	100721	PLUG, pipe	2
6	125982	CABLE, GCA, splitter, M12	1
7	261105	TIE, cable; 14 in. (355.6 mm); not shown	3



ti18603a

 Apply PTFE tape on threads.

Solenoid Valve Air Flow Diagram



ti18602a

Installation

1. Install fittings on solenoid valves (1) as shown on cover.

NOTE: Identification numbers on the solenoid valve match the solenoid valve air flow diagram.

2. Connect assemblies to A and B feed pump air outlet fittings on Reactor.
3. Connect S1 splitter cable (6) to A side valve (1) and S2 to B side valve (1). Remove MCM guards and connect other end of splitter cable to port #7 on MCM.
4. Turn on the ADM.
5. At the Setup System screen, enable the Enable Low Chemical Alarms and set the Low Chemical Alarm Level. The solenoid valves will close when the chemical reaches the low level setpoint. See operation manual for more information.
6. At the Run Maintenance screen, set the material supply levels. See operation manual for more information.

Graco Information

For the latest information about Graco products, visit www.graco.com.

TO PLACE AN ORDER, contact your Graco distributor or call to identify the nearest distributor.

Phone: 612-623-6921 **or Toll Free:** 1-800-328-0211 **Fax:** 612-378-3505

All written and visual data contained in this document reflects the latest product information available at the time of publication. Graco reserves the right to make changes at any time without notice.

Original instructions. This manual contains English. MM 3A1905

Graco Headquarters: Minneapolis

International Offices: Belgium, China, Japan, Korea

GRACO INC. AND SUBSIDIARIES • P.O. BOX 1441 • MINNEAPOLIS MN 55440-1441 • USA

Copyright 2012, Graco Inc. All Graco manufacturing locations are registered to ISO 9001.

www.graco.com